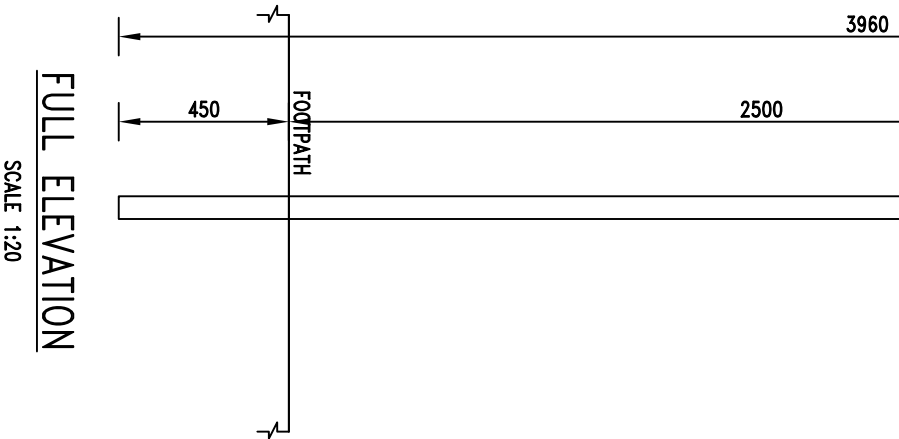
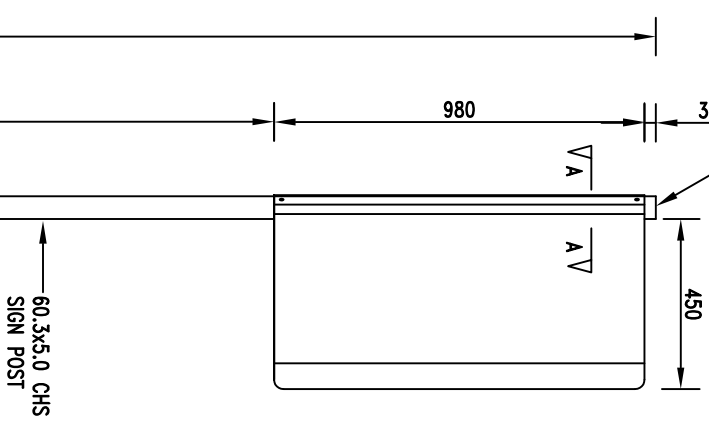
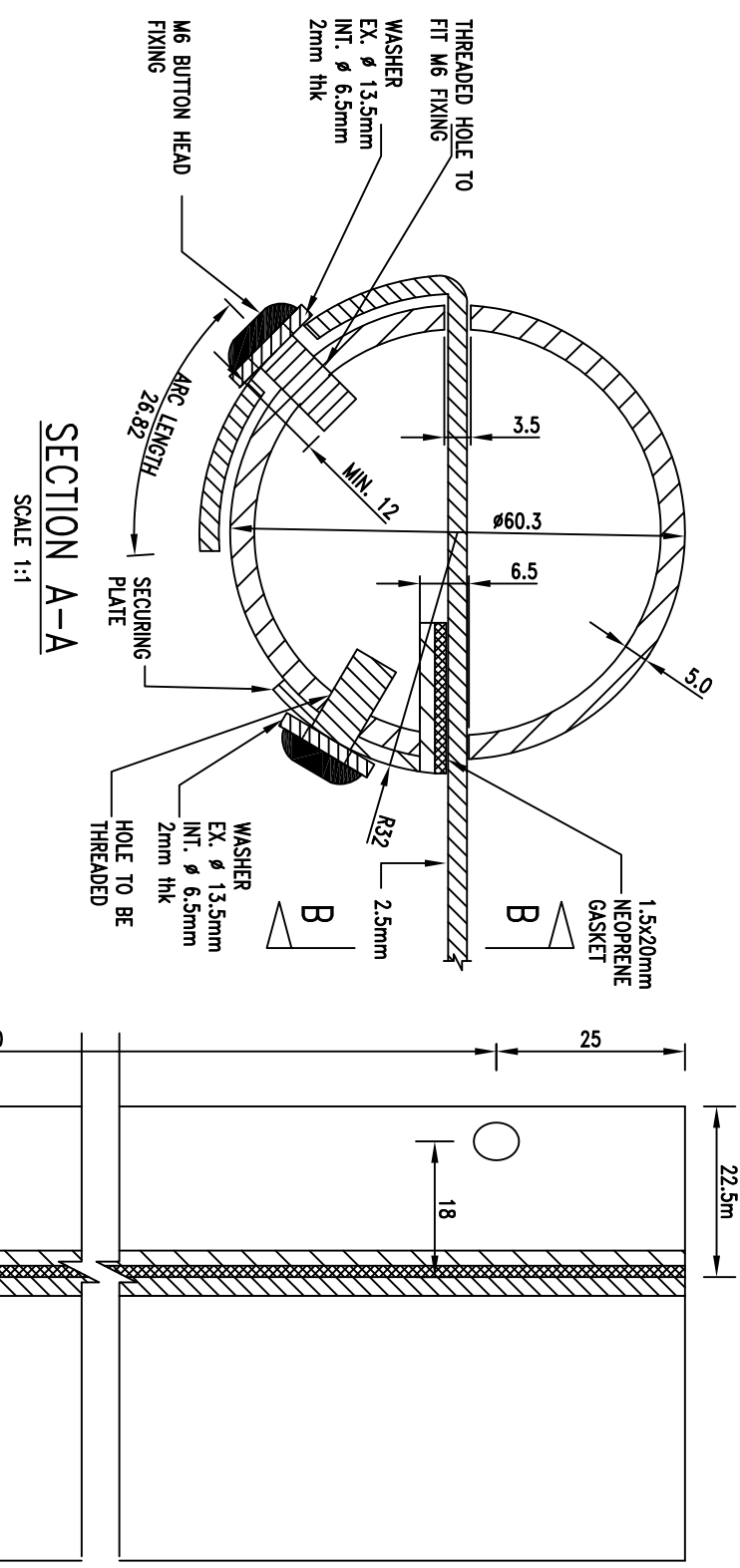


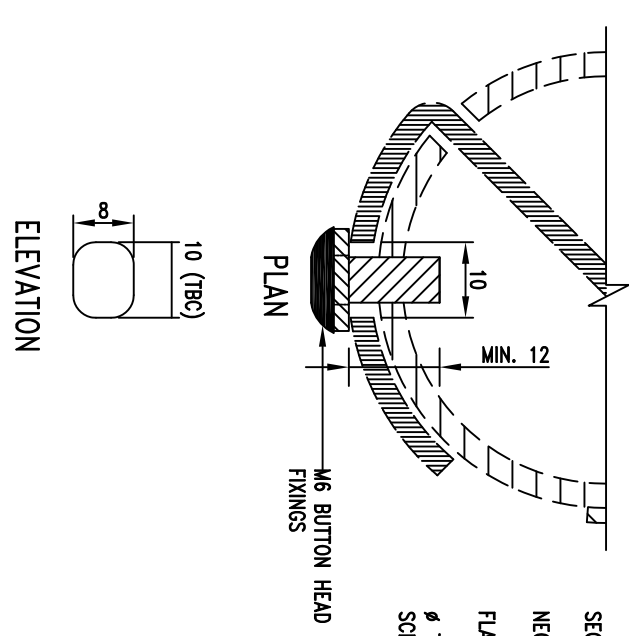
TOP OF POLE TO BE FULLY SEALED WITH A WELDED CIRCULAR STAINLESS STEEL STOP END PLATE



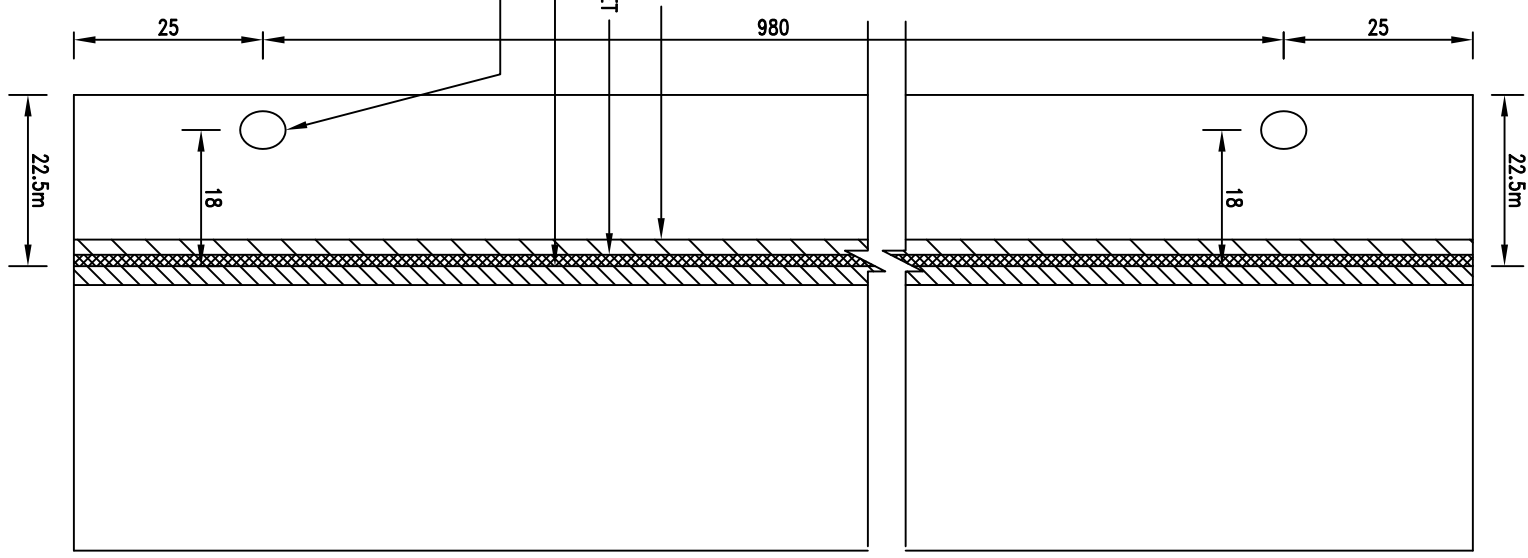
FULL ELEVATION
SCALE 1:20



SECTION A-A
SCALE 1:1



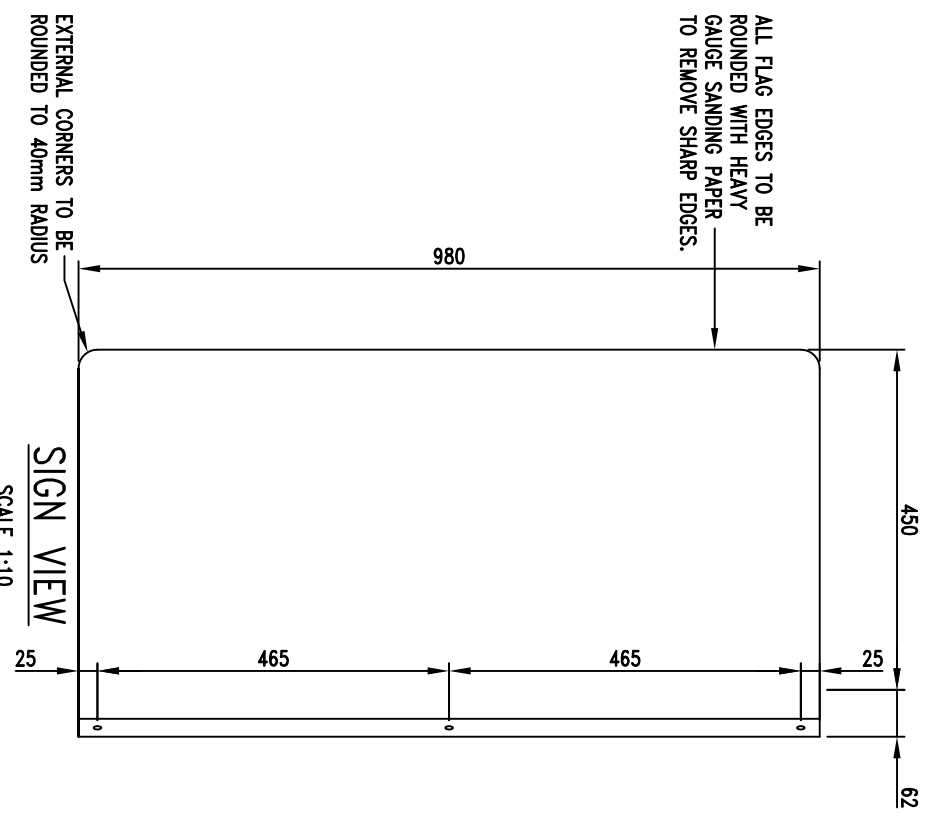
DETAIL 1
TYPICAL CONNECTION SLOT FOR
BUTTON HEAD FIXINGS
SCALE 1:1



SECTION B-B
SCALE 1:1

FLAG AND FIXINGS ASSEMBLY SCHEDULE

Stainless Steel (Grade 1.4401)				
Type	No. of M6 Button Head Fixings A4-80 to ISO 7380	No. of Nord-Lock Nl6sps Washers or Similar Approved	No. of 1.5x20mm Neoprene Gaskets	Length of Securing Plates 2x20x20 Angle x 980
E	6	6	1	980mm



SIGN VIEW
SCALE 1:10

FOR TENDER

NOT FOR CONSTRUCTION

NOTES

- For setting out refer to Architect's drawings.
- This drawing to be read in conjunction with all other Architecture and Engineering drawings and Specifications.
- Do NOT SCALE this drawing. All dimensions shall be taken from the original drawing.
- No part of this document may be reproduced or transmitted in any form or stored in any retrieval system of any nature without the written permission of O'Connell Sutton Corrin, as copyright holder except as agreed for use on the project for which this document was originally issued.
- Flag pole and securing plate to be grade 316 stainless steel as per specification.

Rev. No.	Date	REVISION NOTE	Des. by	Check by
A	25/06/14	ISSUED TO RIA COMMENTS	MD	MM
B	27-06-14	ISSUED TO RIA COMMENTS	SP	MM
C	11-07-18	ISSUED TO RIA COMMENTS	SMC	MA
D	12-08-18	ISSUED TO RIA COMMENTS	EB	MA

OCSC
Multidisciplinary Consulting Engineers
O'Connor Sutton Corrin & Associates Ltd.
9 Prussia St.,
Dublin 7.
TEL: +353 (0)1 8882000
FAX: +353 (0)1 8882100
e: ocsc@ocsc.ie
w: www.ocsc.ie

Client: NATIONAL TRANSPORT AUTHORITY
Project: BUS STOPS POLE & BASE DETAILS REPORT NO. 3
Title: FLAG AND POLE ASSEMBLY - TYPE E

Des. by: MD
Date: 06/08/14
Scale: AS SHOWN @ A3

Check by: MM
App'd by: MGR
Proj. No.: N169-008
Revision: D

Office Locations | Dublin (Head Office) | London | Cork | Galway | Belfast | Warsaw | Bucharest | Moscow | Abu Dhabi | Ulaanbaatar