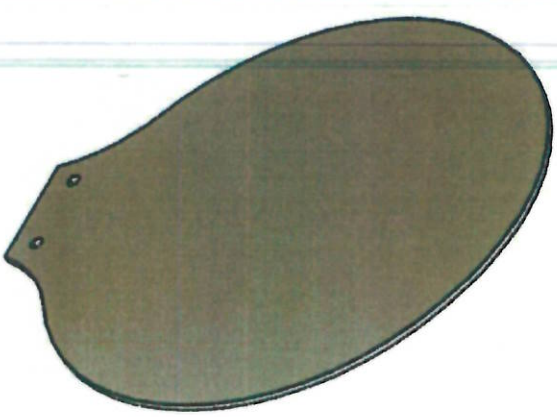
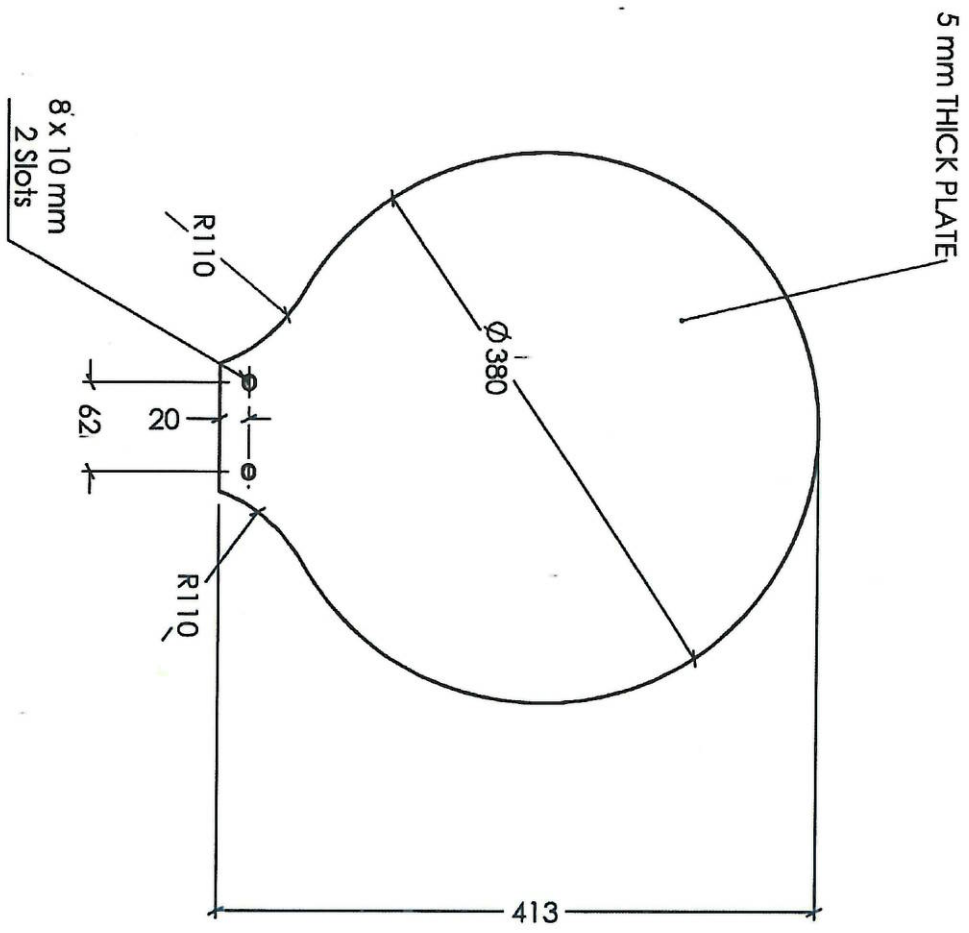


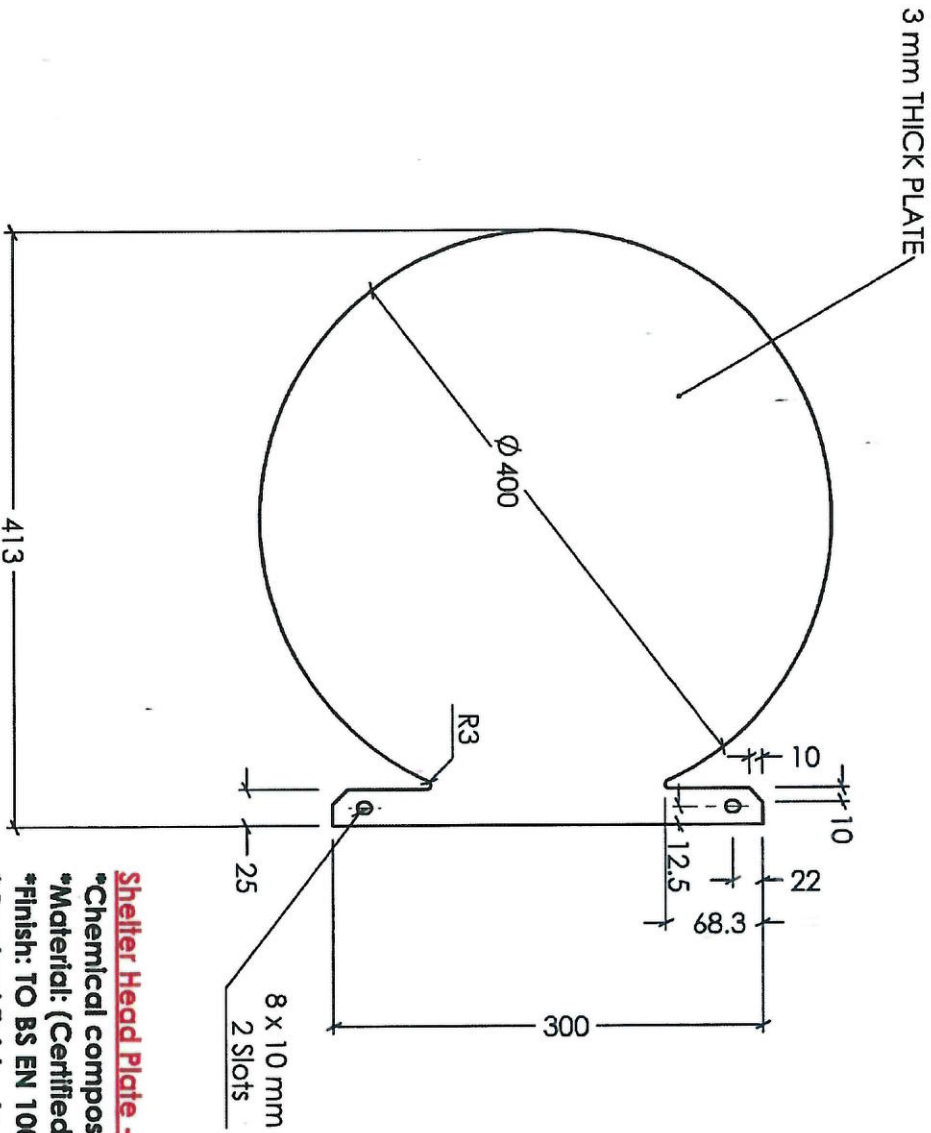
**Shelter Head Plate - TYPE 1**  
 \*Material: Mild Steel, S = 5 mm  
 \*Finish: Galvanised & Painted Exterior Grade Matt Black  
 \*Tolerances on shelter head plates +/- 0.5 mm

DRAWN BY:	VS	CREATION DATE:	09/10/2019	REVISIONS:	0	REVISION DATE:	09/10/2019
APPROVED BY:							

Part:	SHELTER HEAD PLATE - TYPE 2
FILE:	P:\DRAWINGS-CHECKED\SPECIFIC CUSTOMERS\NATIONAL TRANSPORT AUTHORITY (NAV) SHELTER HEAD PLATE SOLDIERS
CUSTOMER:	



- Shelter Head Plate - TYPE 2**
- \*Material: Mild Steel, S = 5 mm
- \*Finish: Galvanised & Painted Exterior Grade Matt Black
- \*Tolerances on shelter head plates +/- 0.5 mm



- Shelter Head Plate - TYPE 3**
- \*Chemical composition and physical properties: To BS EN 10088 - 1
  - \*Material: (Certified Austenitic grade of Stainless Steel) - GRADE 1.4401. S = 3 mm
  - \*Finish: TO BS EN 10088 - 2, 1 J or 2J BRUSHED OR DULL POLISHED (TABLE 6)
  - \*Brushed finish - In accordance with BS EN 10088 - 2, 1 J or 2J BRUSHED OR DULL POLISHED (TABLE 6)
  - \*Tolerances on shelter head plates +/- 0.5 mm

